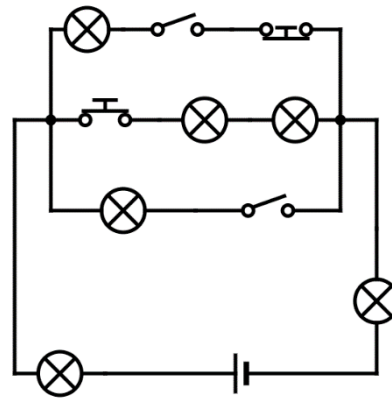
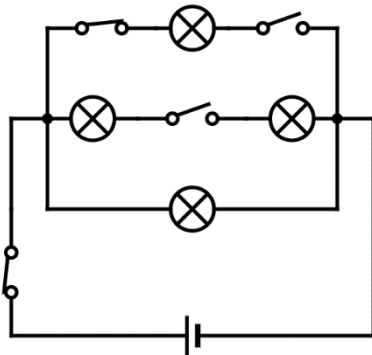
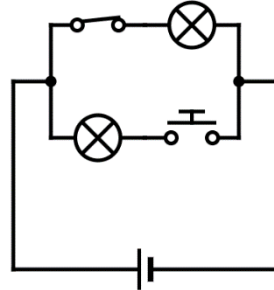
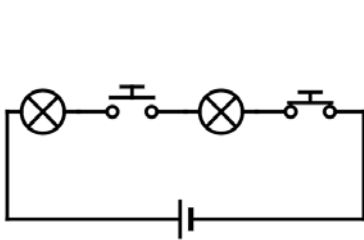


Name: _____ Date: _____

Exercise 1: Circle the bulbs that would emit light according to the position of the switches.



Exercise 2: Circle the switches that must be closed in order to turn on the bulbs boxed in red.

